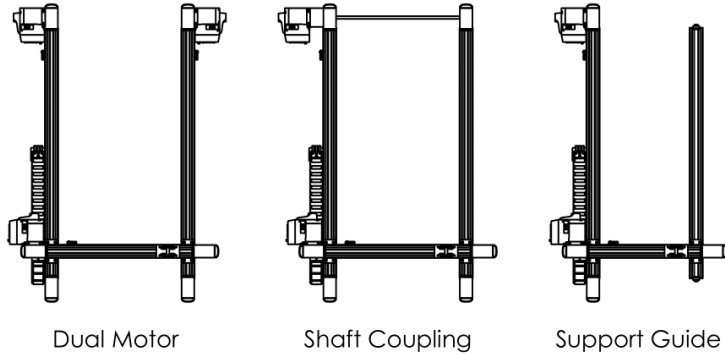
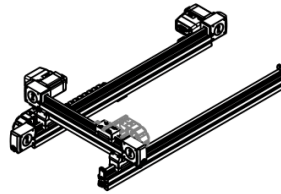


ZABER

LC40 Gantry
dimensions in mm

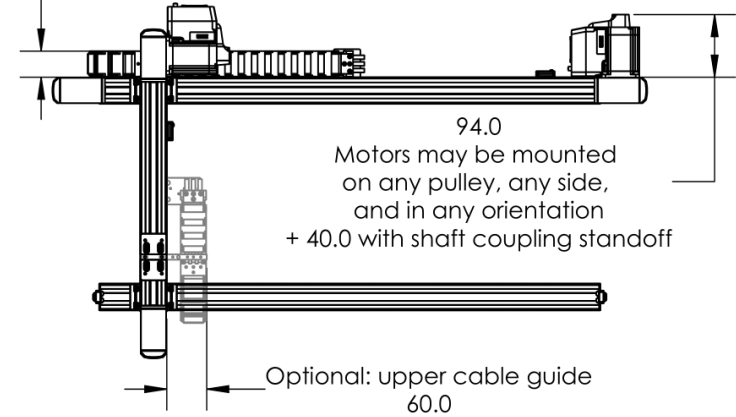


Dual Motor

Shaft Coupling

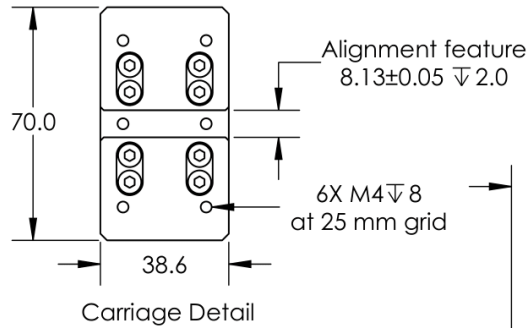
Support Guide

40.0 for narrow option
60.0 for wide option

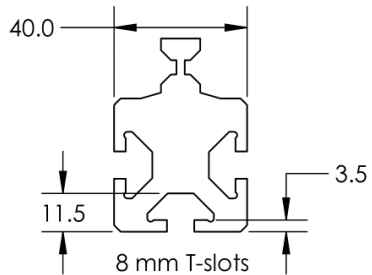


94.0
Motors may be mounted
on any pulley, any side,
and in any orientation
+ 40.0 with shaft coupling standoff

Optional: upper cable guide
60.0



Carriage Detail



Extrusion Profile

